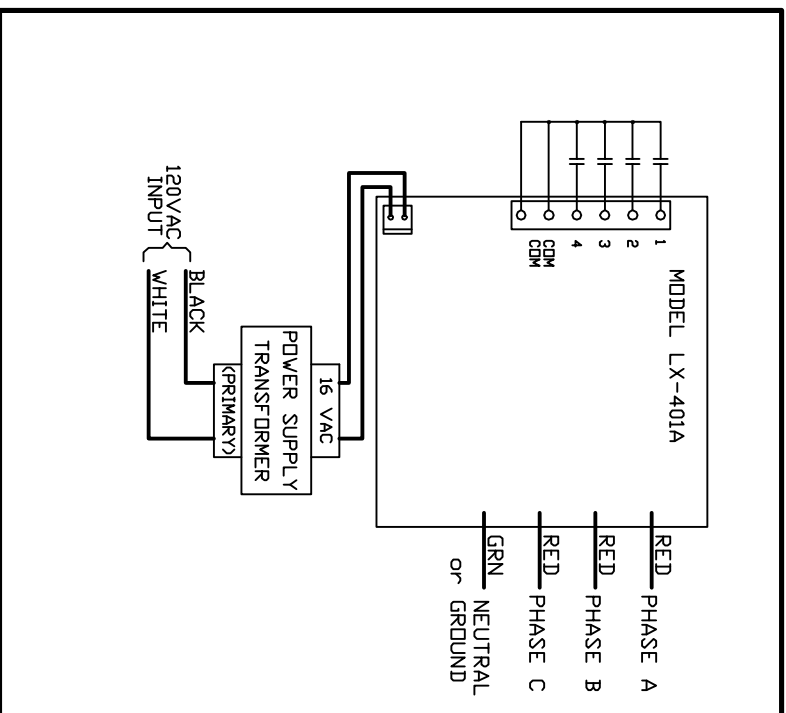


REVISIONS

LTR	DESCRIPTION	DATE	APPROVED
A	AS ISSUED	8/1/09	WHB

NOTES:

1. CONNECT POWER SUPPLY TRANSFORMER PRIMARY TO 120VAC.
2. FOR SINGLE PHASE OPERATION, CONNECT PHASE A RED WIRE TO "HOT" PHASE. CONNECT GREEN WIRE TO GROUND.
3. FOR TWO-PHASE OPERATION, CONNECT PHASE A RED WIRE TO ONE "HOT" PHASE AND PHASE B RED WIRE TO THE OTHER. CONNECT GREEN WIRE TO GROUND.
4. FOR THREE-PHASE OPERATION, CONNECT PHASE A RED WIRE TO ONE "HOT" PHASE, PHASE B RED WIRE TO THE SECOND PHASE, AND PHASE C TO THE THIRD PHASE. CONNECT GREEN WIRE TO GROUND. 300VAC MAXIMUM PER PHASE.



ALL WIRES #18AWG

TOLERANCES UNLESS OTHERWISE SPECIFIED		BRAYDEN AUTOMATION CORPORATION 6230 AVIATION CIRCLE, LOVELAND, CO 80538	
TITLE: WIRELYNX MODEL LX-401A POWERLINE CARRIER TRANSMITTER		DRAWING NUMBER: A-00401-97006-1	
APPROVALS DRAWN CHECKED	DATE 5/9/99 	SCALE: DO NOT SCALE DRAWING	SHEET: 1 of 1